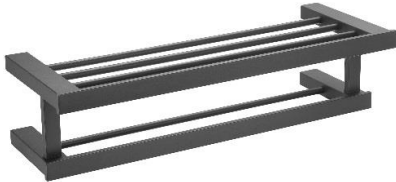


HARMONIA SERIES

Towel rack



AI1423B
Black finish



AI1423C
Bright finish



AI1423CS
Satin finish

General Description

- Towel rack made of AISI 304 stainless steel with a hidden wall mounting system and four fixation points, from Mediclinics' Harmonia series.
- Its up-to-date and functional design gives it a touch of elegance and creativity, while it also allows you to keep your towels tidy and nearby for a greater level of comfort when getting out of the shower.
- The high quality of the stainless steel makes this bathroom accessory very resistant and durable.
- The hidden wall mounting system of this towel rack and its four fixation points mean that the installation screws are not visible and that it is perfectly fixed to the wall.
- An essential bathroom accessory, this towel rail is ideal for bathrooms in hotels, hospitals and nursing homes, as well as for your own home.
- This bathroom towel shelf is also suitable for public use.
- Includes stainless steel hardware to install on brick walls.

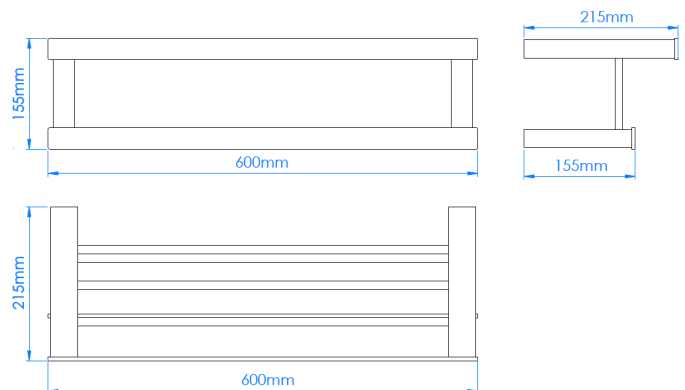
Components and materials

- **AI1423B:** towel rack with shelf made of AISI 304 stainless steel black finish.
- **AI1423C:** towel rack with shelf made of AISI 304 stainless steel bright finish.
- **AI1423CS:** towel rack with shelf made of AISI 304 stainless steel satin finish.
- **TOWEL SHELF:** composed of a straight front bar and 3 Ø 12mm cylindrical bars, all made of AISI 304 stainless steel.
- **TOWEL RAIL:** made of cylindrical AISI 304 stainless steel tube of Ø 12mm and attached with two screws to the two upper wall supports.
- **WALL BRACKETS:** 4 units, made with 1.8mm thick AISI 304 stainless steel square tube.
- **WALL ANCHORS:** 4 units, made of aluminum. Attached to the wall bracket by means of two screws. It has two holes to facilitate wall mounting. They always remain hidden from the user's view.

Technical Specifications

Dimensions	600 x 150 x 215 mm
Shelf bar tube diameter	12 mm
Towel rail tube diameter	12 mm
Wall bracket diameter	1.8 mm
Net weight	2.2 Kg

Dimensions



Dimensions: ± 4%